

Descriptions

The unit provides automatic magazine change-over for continuous line unloading.

PCB are collected from an upstream pusher conveyor and pushed into the magazine.

Full magazines are offloaded at an ergonomic low level.

Standard features

Panasonic PLC Program control.

Selectable pitch settings.

Towerlight display for machine status. Automatic magazine change-over

Flexible platform to suit standard magazines.

Conveyor width adjustment using hand crank.

Regulated pressure on attached pneumatic pusher.

Pusher position adjustable to centre of the magazine.

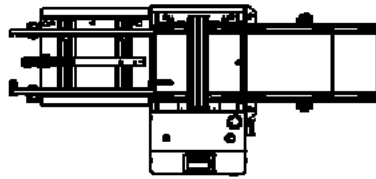
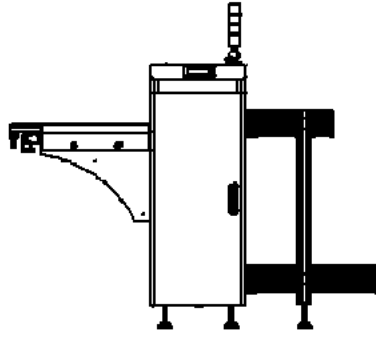
SMEMA compatible.

Technical specifications

- Transport height: 9 1 0 m m ± 3 0 m m
- Transfer direction: Left to right
- Operation side: Front of the machine
- Fixed rail: Front of the machine
- Interface: SMEMA
- Conveyer concept: ESD belt (round or flat)
- Belt speed: 16m /min
- PCB edge support: 4mm
- Components clearance: Top 30 mm, bottom 30 mm
(depends on pitch)
- Power supply: 230 VAC/50 Hz/1 Ph
- Power consumption: 300VA max. or specify
- Air supply: 4-6 bar
- Air consumption: 10 ltr/min max.
- PCB unloading time: ±6 seconds
- Pitch distance: 10.20.30.40mm pitch or specify.
- Magazine change-over time: ± 30 seconds
- Total number of magazines: * 1 magazine on the lifter platform.
* 1 empty magazine on the upper magazine conveyer
* 1 full magazine on the lower magazine conveyer * or specify

Options

- Additional magazine capacity.
- Enclosed construction improve level of safety.
- Width adjustable magazine conveyer(s).
- Other options available on request.



Model No	TN-UL250	TN-UL330	TN-UL390	TN-UL460
Machine Dimension (L x W x H)	1680 x 770 x 1200mm	1950 x 830 x 1200mm	2160 x 920 x 1200mm	2160 x 990 x 1200mm
Weight	126kg	146kg	166kg	186kg
PCB L x W (Min~Max)	(60 x 60)~(350 x 250)mm	(60 x 60)~(455 x 330)mm	(60 x 60)~(530 x 390)mm	(60 x 60)~(530x 4600)mm
PCB Thickness	0.6mm – 4.5mm	0.6mm – 4.5mm	0.6mm – 4.5mm	0.6mm – 4.5mm
Magazine Dimensions (max.)	335 x 320 x 563	460 x 400 x 563	535 x 460 x 570	535 x 530 x 570
Fixed rail to front dimension(A)	380mm	380mm	390mm	390mm

Customized is available